

PAWA Lines

Portland Amateur Wireless Association Newsletter

Portland Amateur Wireless Association Repeaters

W1KVI Falmouth: 146.730MHz (-600KHz) (T 100.0Hz)

W1KVI Scarborough: 444.100MHz (+5MHz) (T 82.5Hz)

Portland Amateur Wireless Association Board of Directors

President	Jason Cote	W1WDW	W1WDW@jcwebdesign.com
Vice President	Bryce Rumery	K1GAX	K1GAX@juno.com
Secretary	Ariel Cote	KC1CCB	KC1CCB@jcwebdesign.com
Treasurer	Vacant		
Chief Operator	Ross Drivas	KB1OND	rmdkb1ond@yahoo.com
Member at Large	John Bogner	W1JLB	JBogner1@maine.rr.com
Member at Large	Vacant		

Club Birthdays

4th - KC1UX, Jack Ney

16th - KX1E, Bob Coakley

10th - W1JLB, John Bogner

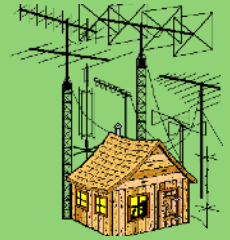
17th - W1ZW, Steven Thing

12th - W1JKL, Chuck Talbot

22nd - KB1IAY, Richard Coffin

On The Web

Please visit us on the web! We have pages on Twitter, Facebook and the world wide web. Check out our addresses at the top of the newsletter's first page, follow us on Twitter, and like our page on Facebook to stay up to date on club activities. If you have something to add, please let us know!



New Clubhouse?

Ariel met with a representative from a new facility. Pg. 3



Meeting Agenda

Next meeting's agenda on page 7.



Club Officers

PAWA is in need of club officers. Please consider stepping into the roles.

President's Message

Jason Cote - W1WDW

Greetings members!

March is upon us and due to the loss of our February meeting, we have a full docket of business for our meeting on Wednesday the 7th. Most importantly is the selection of not one, but two board members. A couple weeks ago, Steve Mitchell, KB1YBT reached out to me and made the decision to step down from the PAWA board of directors due to what he expects will be an extended absence due to business travel. I would like to thank Steve for his service to the club and the board. Steve will be remaining as a club member and will continue to support our efforts.

We do currently have one candidate for club treasurer and also one candidate for the member at large seat that we will be discussing at the March meeting and I would like to solicit nominations for either seat. If you are interested in running for either office, please contact myself or any club officer.

I would like to also take a moment to express concern about something that has been bothering me for a few weeks. I won't go into specific details, but I will ask that every member do their best to be welcoming and open to new members, members that have not attended many meetings, or people who may not be current members of

our club. Our club is intended to be open to any radio amateur who wishes to hold membership, and we as a cohesive group should be welcoming to everybody, regardless of their participation. I see great things on the horizon for our club and I foresee a lot of past members coming back. I would expect that all of our members be as welcoming to those returning folks as they have been with me.

In addition to that, I would ask that all members take a few moments to read through our club's bylaws. These are the "rules" we are all required to play by as officers and members of the PAWA. It's a good idea to review our bylaws every so often to ensure that they meet our needs and are refreshed and updated as the club evolves. If there is something in those bylaws you disagree with, consider bringing it up for discussion. I have received some feedback regarding some of our current bylaws, so there is some dissatisfaction. Currently our club bylaws have no requirement for periodic review. But we as a whole should always be looking for ways to improve the rules we play by. Most importantly remember, change is not always bad! =)

Thank you,

Jason Cote, W1WDW

President

UPCOMING EVENTS:

✱ **Next meeting:**

Wednesday, March 7th, 2018 - 7pm

Stuart Morrill American Legion Post #35 - 413 Broadway, So Portland

✱ **March Contests:**

3-4 International DX - Phone



Treasurer's Report

No treasurer's report was available for February 2018. A reminder, annual club dues are due. Please bring payment to the March meeting. Thank you.

Secretary's Report

Ariel Cote - KC1CCB

There was no meeting in February due to inclement weather.

Falmouth American Legion Post #164

Ariel Cote - KC1CCB

I met with Commander Allen Mazerolle in January regarding our interest in potentially moving our club to their post in the future. The post is smaller than the space we currently rent in South Portland, though it has a large kitchen and decent front room which I felt could easily accommodate our members. The kitchen would be at our disposal at any time we would rent the space, providing we carry out any items-trash we bring in. There is ample parking and a handicap accessible ramp if it was ever needed.

This particular post prefers to rent out space per portion of the day, beginning from 8:30-12, 12:30-5:00 and 5:30-10:30, each block costing 55\$. Additionally, we could choose to use the room for 25\$ per hour. Our normal meeting night (first Wednesday of the month) is available, so would not have to change. Additional items and spaces are able to be rented, including the outdoor yard and basement. The Commander and I discussed the potential for the club to rent a "closet" in the basement to house a radio room for 10\$ a month, though I was unable to see these areas and do not have the ability to comment on

them. I am also unaware on the post's stance on antennas, so if we decide to use this option in the future, it is possible we may need to put up/take down any antenna we may use each time. Whereas the legion rents space per hour or day, they may also charge us each time we use said radio room, which maybe a prohibitive proposition.

Overall, the space was clean and the Commander inviting. It is conveniently located off of 295 and the spur from 95. I will be presenting this information at the March meeting. Hope to see you there!

Chief Operator's Report

Ross Drivas - KB1OND

Outgoing QSL Bureau

This month I thought I would take a look at the outgoing QSL bureau, as a compliment to last month's column on the incoming bureau.

Sending QSL's electronically is the most inexpensive way to exchange contacts. Logbook of the World (LoTW) and others have a definite advantage when you consider the cost and the time involved. Some people still prefer a physical card and that's where the incoming and outgoing bureaus play a role.

To use the Outgoing bureau you must have an ARRL membership. Proof of membership may be something as easy as a photocopy of the mail address label from your QST magazine. This would be shipped with your cards to the outgoing bureau.

The bureau ships out the cards on a quarterly basis. The ARRL sends them to the incoming QSL bureaus which are typically run by a national radio society in each of the countries, basically an ARRL equivalent.

Your outgoing cards will need to be sorted by the parent prefix for each country. If the country has additional prefixes, they are kept with the parent prefix. Addresses are not required, that will be handled by the foreign incoming bureau receiving your QSL card.

The cost of shipping via the bureau is \$1.15 per ounce plus a \$7.00 QSL processing fee. An example provided by ARRL mentions a 24 ounce package containing 225 cards would cost $((24 \times 1.15) + 7)$ or \$34.60. There is a 1 ounce minimum so if you send out just one card the cost would be \$8.15. Obviously gathering up your cards and then sending them in a group is the most cost effective way to ship via the bureau.

Some country's will only sort and pass incoming cards on to members of their country's national radio society.

While there is some variation in card size, IARU region 2 recommends a 3.5" x 5.5" as this lends itself to easier sorting and storage. The outgoing bureau is shipping about 700,000 cards per year. Like the incoming bureau, it is staffed by volunteers.

For more information check out <http://www.arrl.org/outgoing-qsl-service>

73

Ross KB1OND

Are You Up To Date?

Bryce Rumery - K1GAX

Fairly recently there was a fellow ham that was unable to check into the Cumberland County Emergency Net on a Sunday night. He emailed me for help. I suggested he check his receive frequency, his offset and his PL tone.

I noticed on the FCC web site that he was first licensed in 2016 and listed a South Portland address. When he emailed me he listed a Hollis address. This made something come to mind. He probably didn't update his new address with the FCC. I contacted him regarding this issue. He told me he had moved to Hollis just after he got his license (2 years ago). He told me that he had put in a change of address with the Postal Service and had his mail forwarded. I told him that the FCC needs to be informed of his new address. He said he wasn't worried as his license didn't expire until 2026 and he would inform the FCC of his new address when he renewed his license.

His answer caused me to think. I have the firm belief that most hams don't take the time to update the FCC for a change of address. The FCC only contacts license holders by mail. No email, phone call or text message. If the FCC receives mail back sent to an outdated address they will cancel your license and you will have to start out all over again.

To keep the FCC updated with your new address is quite easy. It can be done on line or you can mail the FCC on an FCC form 605 with the address change.

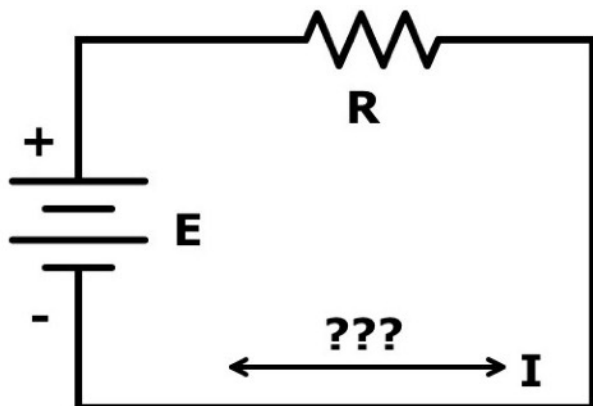
Please don't get stung with a canceled license and have to start all over again in the licensing process!

In all the moving around I did during my military career One of the first things I would do was to update the FCC of my address change.

73, Bryce, K1GAX

Which way does current really flow?

Dan Romanchik - KB6NU



I was recently taken to task by one of my blog readers regarding my description of current flow in my *No Nonsense Technician Class License Study Guide*. He wrote:

You casually say that current flows from Positive to Negative (with cool accompanying directional arrows), without any accompanying qualifying statement. Over the years I have looked at ALL the views on the subject. Positive to Negative is NOT what I was taught 48 years ago, and I have never seen a good reason to change my view.

In a subsequent email, he pointed me to a Nuts 'n Volts article, ["Which Way Does Current Really Flow?"](#) and asked my opinion. In the article, the author, who is a ham by the way, does a good job of explaining the various types of current flow.

I agree that in electronic circuits electrons flow from negative to positive, but it really doesn't matter. I agree with one the article's commenters who says,

This is a silly argument. It's like comparing apples and oranges and challenging people to take sides.

Electron flow is not current flow. Electron flow is easy to understand, an actual physical property, and a real help in understanding vacuum tube operation. But it falls apart when one needs to understand complex electronic systems.

[Conventional] current flow is a mathematical abstraction. It is defined as a net flow of positive charge, irrespective of the polarity of the physical charge carriers – whether electrons, holes, positive or negative ions, or whatever.

When looking at any circuit containing a resistance with a voltage across it, conventional current through that resistor says that the voltage drop occurs as the current through it meets resistance. On the other hand, in negative (electron) flow, a voltage INCREASE will correspond to the 'current' flow through it, clearly violating physical laws. Conventional current flow is consistent with the laws of physics and those of other engineering disciplines.

You are correct that engineers, professors and scientists use conventional current flow. That is not because they are too obtuse to understand electron flow; I assure you they fully understand it. It is because in their world they have to solve more general problems involving complex math and science, and, again, conventional current flow is consistent with physical laws.

It is unfortunate that electron flow and current flow are so often confused. They both have their place.

After reading that article, I thought I'd see what the ARRL Handbook has to say about current. In the 1963 edition, they don't mention electron flow at all. They have one diagram showing the direction of current flow in both series and parallel circuits, but the voltage source has no polarity. It's simply labelled "Source of E.M.F." Diagrams giving practical examples of series and parallel circuits do include a battery, and if the reader were to mash up the two diagrams, they would conclude that current flows from the positive terminal to the negative terminal.

The most recent edition of the Handbook that I have is the 2005 edition (it might be time to get another copy!). It says,

Electrons move from the negative to the positive side of the voltage, or EMF, source. Conventional current has the opposite direction, from positive to negative. This comes from an arbitrary decision made by Benjamin Franklin in the 18th century. The conventional current direction is important in establishing the proper polarity sign for many electronics calculations. Conventional current is used in much of the technical literature. The arrows in schematic symbols point in the direction of conventional current, for example.

Having said all that, I really don't see that there's much of a controversy here. I did learn to think of current as conventional current in college, although it was mentioned that electrons actually flow in the opposite direction. Using the concept of conventional current has never seemed to hold me back. I've been able to design circuits and repair electronic equipment thinking that current flows from positive to negative.

Although it's a departure from my "no nonsense" style, I am thinking of including a sidebar, similar to the paragraph above from the 2005 Handbook explaining the two ways of looking at current flow. What do you think?

When he's not trying to figure out which way current flows, Dan blogs about amateur radio at KB6NU.Com, teaches ham radio classes, and operates CW on the HF bands. Look for him on 30m, 40m, and 80m. You can email him at cwgeek@kb6nu.com

PAWA Meeting Agenda - March 7, 2018

Schedule	Topic	Who
	Board of Director's Meeting	
6:30PM	Call to order	
	Old Business	
DISCUSSION	Lack of Treasurer & Member at Large	Jason
DISCUSSION	Moving to Falmouth - American Legion Hall	Ariel
	New Business	
	Any new business	All
7:00PM	Adjournment	
	General Membership Meeting	
7:00PM	Call to Order	
	Introductions	All
VOTE	Acceptance of meeting minutes/Secretary's Report	Jason
VOTE	Acceptance of Chief Operator's Report	Jason
NOT AVAILABLE	Acceptance of Treasurer's Report	Jason
	Old Business	
DISCUSSION	Lack of Treasurer & Member at Large	Jason
PROPOSAL	Presentation to membership of proposal to relocate PAWA to Falmouth American Legion Hall	Ariel
DISCUSSION	Discussion	All
Entertain Motion to Vote	Intention to Vote	Jason
	New Business	
DISCUSSION	Solicit ideas for presentations and programs	Jason
	Any new business	All
VOTE	Adjournment	